



# Severe Service Valves

## Product Data Sheet

## FZ Ceramic Gate Valve

### Severe Service Slurry Valve

- Structural ceramics are used on the valve gate and seat to resist wear, corrosion, high temperatures and thermal shock.
- Product is suitable for conveying wearing media, including dust and particles in vacuum systems.
- Dual seats create bi-directional sealing.
- Required operating power is low; manual, electric and pneumatic actuators may be used.
- Materials are selected on an application basis. Options include Super Duplex Stainless Steel, Hastelloy, Stainless Steel, Cast Steel, and others, as required.
- Multiple ANSI and DIN flange standards are available. Higher classes available.
- Typically used for on/off service
- Ceramic seat materials are also selected on an application basis. Options include high alumina ceramics, silicon carbide, and others.

#### Used in these industries:

- Power Plant Bottom Ash
- Bottom ash pyrite systems
- FGD Slurry Systems
- Conveying Systems for dust, powder and slurry in mining and aluminum production



## SK Valve

Buffalo, NY

Ph: (716) 795-8111 FAX: (716) 799-0969

[www.skvalveusa.com](http://www.skvalveusa.com)

FZ 8/11/09

# SK Severe Service Valves

## Product Specifications

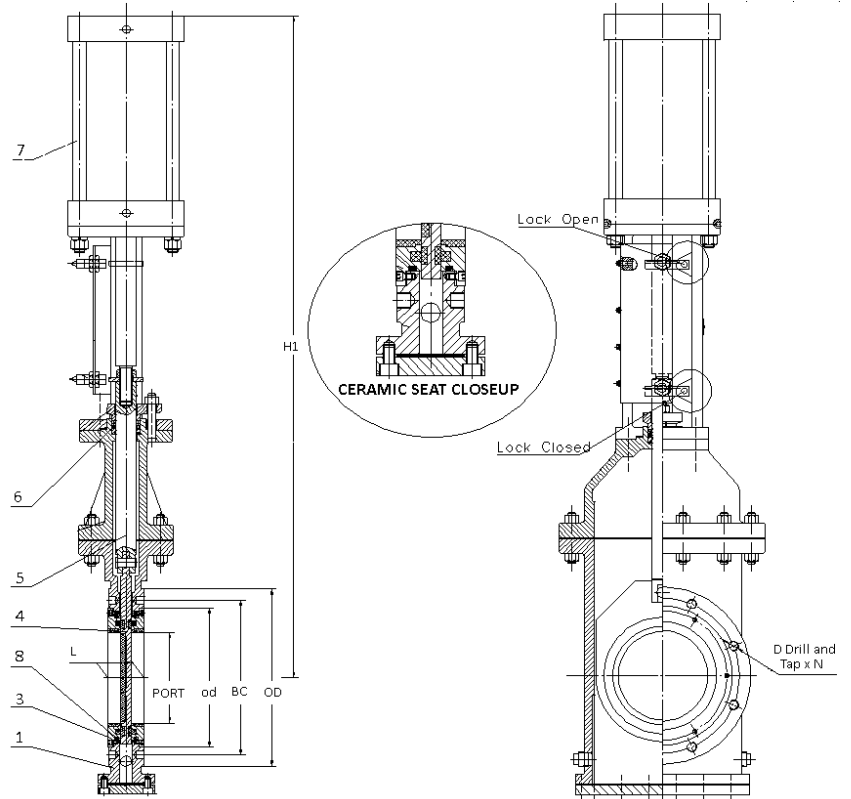
Materials of Construction		
1	Body	Carbon Steel
2	Port	Ceramic Lined
3	Seat	Ceramic
4	Gate	420SS / Ceramic
5	Stem	420 SS
6	Packing	PTFE
7	Actuator	Optional
8	O-ring	Viton

### Additional Material Choices Available

Pressure and Temperature Ratings	
Standard Valve	150psi @ 300F

Extended Temperature Units available to 1000 F

## Style FZ Ceramic Lined Knife Gate Valve



### Dimensions (Inches, Class 150)

Size		2"	3"	4"	6"	8"	10"	12"	16"	18"
Face to Face	L	1.88	2.00	2.00	2.25	2.75	2.75	3.00	3.50	3.50
Port				3.62	5.28	6.93	8.90	11.26		
Flange	OD	6	7.5	9	11	13.5	16	19	23.50	25.00
Bolt Circle	BC	4.75	6	7.5	9.5	11.75	14.25	17	21.25	22.75
Raised Face	od	3.62	5	6.19	8.5	10.62	12.75	15	18.50	21.00
# Holes	N	4	4	8	8	8	12	12	16	16
Drill Dia	D	5/8	5/8	5/8	3/4	3/4	7/8	7/8	1	1-1/8
Height	HI			38.18	42.20	50.43	58.94	72.12		

Style FZ can be manufactured to any international standards, including face-to-face and dimensional requirements. Specifications subject to change as product enhancements take effect.

## SK Valve

Buffalo, NY

Ph: (716) 795-8111 FAX: (716) 799-0969

[www.skvalveusa.com](http://www.skvalveusa.com)

FZ 8/11/09