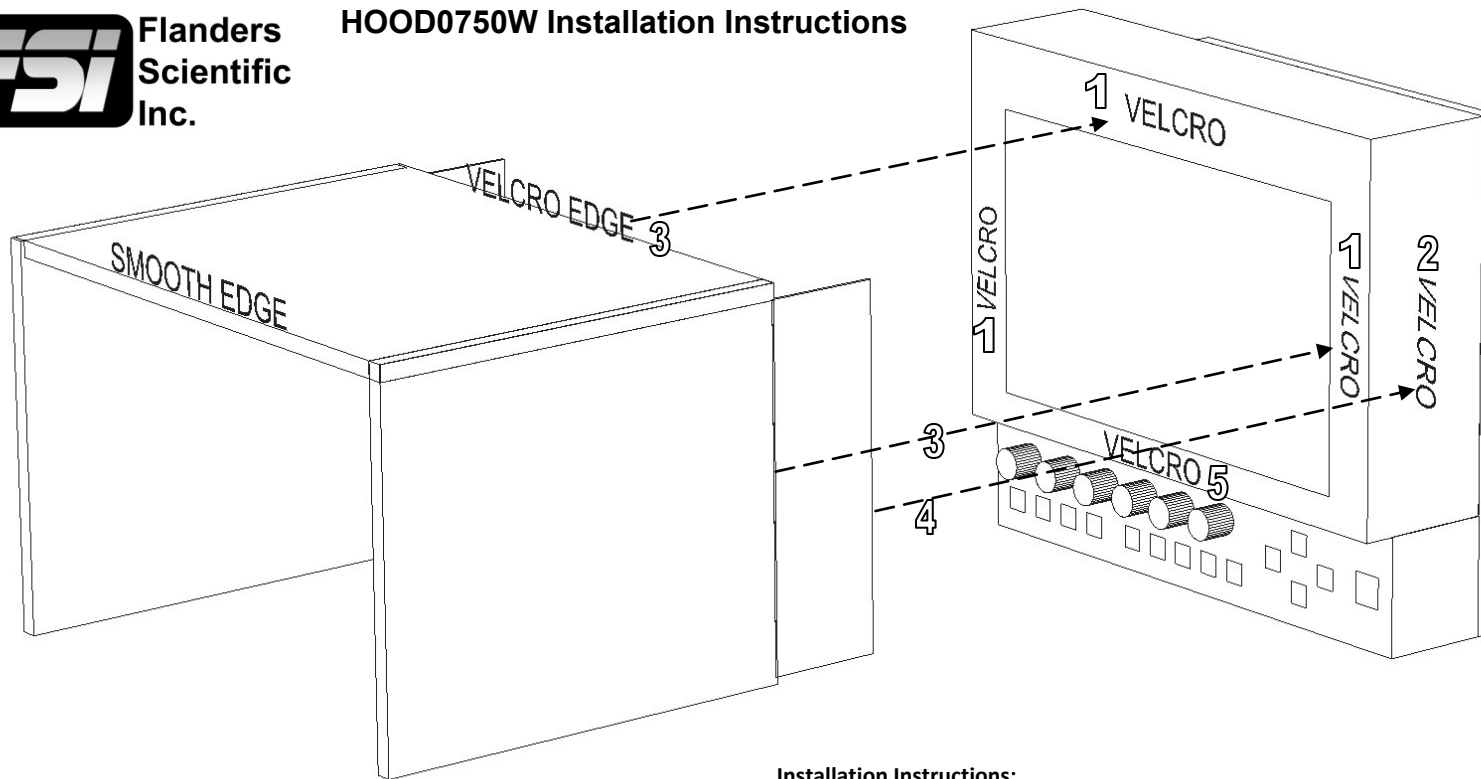


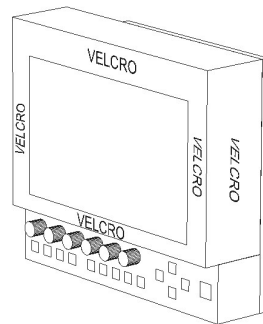
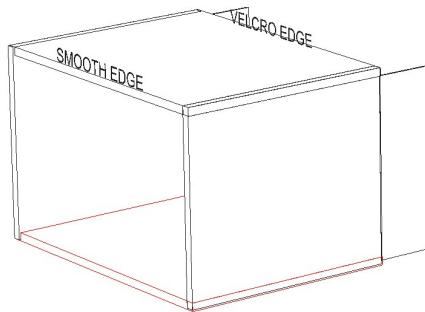


Flanders Scientific Inc.

## HOOD0750W Installation Instructions



Hood can be configured as 3 sided or 4 sided. For 4 sided configuration simply Velcro bottom panel (provided in standard Hood Kit) to 3 sided hood.



### Installation Instructions:

1. Attach Peel and Stick Velcro to top and sides of monitor bezel (face of monitor) as indicated above .
2. Attach Peel and Stick Velcro to both sides of monitor as indicated above.
3. Attach Velcro Side of Hood to Velcro along bezel.
4. Attach Velcro side straps to Velcro installed to side of monitor in step 2.
5. You only need to apply Velcro to the lower portion of the bezel if you plan on using the hood in a 4 sided configuration.

If you need assistance installing your hood please contact FSI:

Support@FlandersScientific.com or 678.835.4934.